

196-486-000 36" Snow Thrower (1986)
Chute Assembly

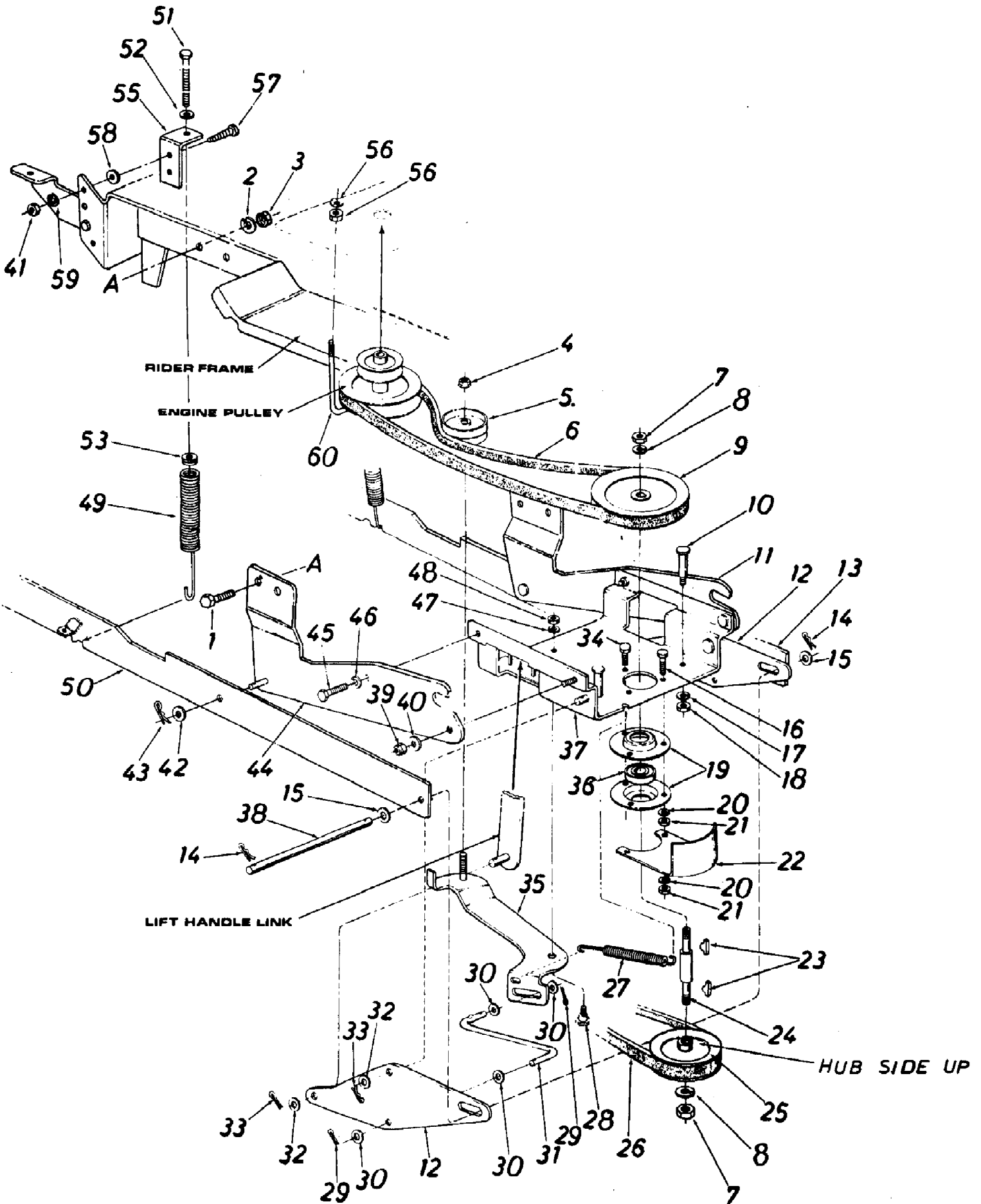
Page 2 of 6

Ref #	Part Number	Qty	S/P/F	Description
1	05023	1		Spiral Plate
2	715-0118	1	S	Spring Pin Spir. 5/16 x 1.75" Lg.
3	05375	1		Spiral Ass'y.
4	712-0158	1	S	Hex Cent. L-Nut 5/16-18 Thd.
5	736-0105	1	/P	Bell. Wash.
6	736-0179	1	S	FI-Wash.
7	05225	1		Top Chute Ass'y.
8	710-0260	1	S	Car. Bolt 5/16-18 x .62" Lg.
9	05140	1		Chute Wing Ass'y.
10	712-0107	1	S	HexCent. L-Nut1/4-20Thd.
11	726-0111	1	/P	Push Cap.188" Dia. Rod
12	05766	1		Chute Ass'y.
14	712-0267	1	S	Hex Nut 5/16-18Thd.*
15	736-0119	1	S	L-Wash. 5/16" Scr.*
16	710-0260	1	S	Car. Bolt 5/16-18x .62" Lg.*
17	736-0163	1	S	FI-Wash.
18	713-0177	1		Sprocket Hub Ass'y.-40 Teeth
19	713-0189	1		#420 Chain x 1/2" Pitch-77 Links
20	05379	1		Chain Guard Ass'y.
21	715-0118	1	S	Spring Pin Spir.-5/16
22	736-0119	1	S	L-Wash. 5/16" Scr.*
23	712-0267	1	S	Hex Nut 5/16-18 Thd.*
24	736-0105	1	/P	Bell. Wash.
25	712-0130	1	/P	Hex Ins. L-Nut3/8-16 Thd.
26	05244	1	S	Bearing Housing
27	712-0267	1	S	Hex Nut 5/16-18 Thd.*
28	736-0119	1	S	L-Wash. 5/16" Scr.*
29	741-0162	1	S	Self Aligning Brg. w/ Set Scr.
30		1		Comes with Ref. No. 29
31	715-0118	1	S	Spring Pin Spir.-5/16x1.75
32	713-0188	1		14 Teeth Sprocket Ass'y.
33	756-0192	1		1.875" Dia. Flat Idler
34	750-0252	1	S	Idler Spacer
35	736-0235	1		F I-Wash .
36	736-0300	1	S	FI-Wash.
37	710-0427	1	S	Hex Scr. 3/8-16x2.00" Lg.*
38	738-0244	1		Drive Shaft
39	05922	1		Crank Support Tubing Ass'y.
40	720-0170	1	/P	Hand Knob 5/16-18 Thd.
41	05403	1		Chute Crank Brkt.
42	05120	1		Chute Crank
43	736-0117	1	S	FI-Wash.
44	720-0171	1	S	Knob-Black 3/8" Dia. Hole
45	726-0100	1	S	Push Nut 3/8" Rod
46	05837	1		Linkage Arm Ass'y.
47	754-0236	1	S	"V"-Belt 1/2"x85" Lg. (Kevlar)
48	713-0154	1	S	Master Link for #420 Chain
49	738-0140	1	S	Shoulder Scr.
50	05724	1		Idler Brkt. Ass'y.
51	732-0383	1		Extension Spring
52	756-0217	1	S	Fl. Idler with Flange
53	712-0130	1	/P	Hex Ins. Jam Nut 3/8-16 Thd.
54	736-0119	1	S	L-Wash. 5/16" Scr.*

196-486-000 36" Snow Thrower (1986)
Chute Assembly

Page 3 of 6

Ref #	Part Number	Qty	S/P/F	Description
55	741-0174	1	S	Self Aligning Brg.
56	710-0538	1	/P	Hex Scr. 5/16-18x .62" Lg.
57	736-0231	1	S	F I-Wash.
58	756-0215	1		5.50 O.D. x 5/8 Pulley
59	710-0198	1	S	Hex Sems Scr. 5/16-18 x .75"
60	716-0119	1	S	Snap Ring for .75 Dia. Shaft
61	710-0474	1	/P	Hex Scr. 1/2-13x1.25" Lg.*
62	05432	1		Spiral Housing Ass'y.
63	736-0921	1	S	L-Wash. 1/2" Scr.*
64	712-0206	1	S	Hex Nut 1/2-13 Thd.*
65	710-0260	1	S	Car. Bolt 5/16-18 x .62" Lg.*
66	712-0267	1	S	Hex Nut 5/16-18 Thd.*
67	736-0119	1	S	L-Wash. 5/16" Scr.*
68	05378	1	S	Shave Plate
69	710-0389	1	/P	Car. Bolt 3/8-16x .75" Lg.*
70	05002	1	S	Slide Shoe
71	712-0798	1	/P	Hex Nut 3/8-16
72	736-0105	1	/P	Bell. Wash.
73	710-0538	1	/P	Hex Scr. 5/16-18x .62" Lg.
74	736-0227	1	S	FI-Wash.
75	741-0170	1	S	Flange Brg. with Flats
76	05360	1		Brg. Housing Ass'y.
77	710-0260	1	S	Car. Bolt 5/16-18 x .62" Lg.
78	05139	1	S	Guide Blade
79	736-0119	1	S	L-Wash. 5/16" Scr.*
80	712-0267	1	S	Hex Nut 5/16-18 Thd.*
81	736-0119	1	S	L-Wash. 5/16" Scr.*
82	712-0267	1	S	Hex Nut 5/16-18 Thd.*
83	716-0121	1	S	Snap Ring for 1.50" Dia. Shaft
84	736-0242	1	/P	Bell. Wash.
85	712-0267	1	S	Hex Nut 5/16-18 Thd.*
86	714-0111	1	S	Cotter Pin 3/32 x 1.00" Lg.*
87	712-0267	1	S	Hex Nut 5/16-18 Thd.*
88	736-0119	1	S	L-Wash. 5/16" Scr.*
89	710-0442	1	S	Hex Scr. 5/16-18 x 1.50" Lg.
90	711-0584	1		Joint Block
91	05066	1		Joint Brkt. Ass'y.
92	715-0139	1	S	Spring Pin Roll 3/16" x .81" Lg.*
93	715-0103	1		Spring Pin Roll 1/8x .75" Lg.*
94	710-0118	1	S	Hex Scr. 5/16-18x .75" Lg.*
95	05402	1		Chute Brkt.
96	05118	1		Sprocket Shaft Ass'y.
97	05031	1		Chute Flange Keeper Ass'y.
98	738-0229	1		Spiral Axle
99	736-0250	1	/P	FI-Wash.
100	05136	1		Plastic Bushing
101	748-0193	1	S	Spacer .380 I.D. x .630 O.D. x .565
102	05838	1		Linkage Arm Ass'y.-R. H.
103	710-0347	1	/P	Hex Bolt 3/8-16 x 1.75" Lg.*
104	714-0388	1	S	#61 Hi-Pro Key



196-486-000 36" Snow Thrower (1986)
Drive Assembly

Page 5 of 6

Ref #	Part Number	Qty	S/P/F	Description
1	710-0412	1	/P	HexScr. 1/4-28 x .75" Lg. Grade 5
2	736-0329	1	S	L-Wash. 1/4" Scr.*
3	712-0138	1	S	Hex Nut 1/4-28Thd.*
4	712-0116	1	S	Hex Ins. Jam Nut 3/8-24 Thd.
5	756-0218	1	/P	Flat Idler3.25" O.D.
6	754-0185	1		"V"-Belt 1/2 x 49" Lg.
7	712-0242	1	S	Hex Jam Nut 5/8-11 Thd
8	736-0158	1	S	L Wash. 5/8" I.D.*
9	756-0216	1		6.50" O.D. x 5/8 Pulley
10	738-0129	1		Shoulder Screw
11	05826	1		Channel Supporting Brkt.-R.H.
12	05835	1		Linkage Brkt.
13	05838	1		Linkage Arm Ass'y.-R.H.
14	714-0101	1	S	Intern. Cotter Pin .500" Dia. *
15	736-0192	1	S	Fl.-Wash.
16	710-0528	1	/P	Hex Scr. 5/16-18 x 1.25"
17	736-0169	1	S	L.-Wash. 3/8" Scr.*
18	712-0798	1	/P	Hex Nut 3/8-16 Thd.*
19	08253	1	S	Bearing Housing
20	736-0119	1	S	L.-Wash. 5/16" Scr.*
21	712-0267	1	S	Hex Nut 5/16-18 Thd.*
22	05406	1	S	Belt Guard
23	714-0388	1	S	#6 Hi-Pro-Key 3/16 x 5/8" Dia.
24	738-0246	1		Pulley Spindle
25	756-0213	1	F	4.00 O.D. x 5/8 Pulley
26	754-0236	1	S	"V"-Belt 1/2 x 85.2" Lg.
27	732-0146	1		Extension Spring
28	738-0140	1	S	Shoulder Screw
29	714-0111	1	S	Cotter Pin 3/32" Dia. x 1.00*
30	736-0300	1	S	F I-Wash.
31	747-0396	1		Control Rod
32	736-0192	1	S	Fl-Wash.
33	714-0101	1	S	Inter. Cotter Pin .500" Dia. *
34	710-0198	1	S	Hex Sems Scr. 5/16-18 x .75" Lg.*
35	05409	1	S	Clutch Idler Brkt. Ass'y.
36	741-0919	1	S	Ball Bearing
37	05411	1		Channel Ass'y.
38	738-0242	1		Lift Handle Shaft
39	712-0130	1	/P	Hex Ins. L-Nut 3/8-16 Thd.
40	736-0300	1	S	F I-Wash.
41	712-0287	1	S	Hex Nut 1/4-20Thd.*
42	736-0192	1	S	Fl.-Wash.
43	714-0101	1	S	Intern. Cotter Pin .500" Dia.*
44	05827	1	S	Channel Supporting Brkt.-L.H.
45	710-0253	1	S	Hex Scr. 3/8-16 x 1.00" Lg. *
46	736-0169	1	S	L.-Wash. 3/8" Scr.*
47	736-0119	1	S	L.-Wash. 5/16" Scr.*
48	712-0267	1	S	Hex Nut 5/16-18 Thd.*
49	732-0323	1		Helper Spring
50	05837	1		Linkage Arm Ass'y.-L.H.
51	710-0646	1	S	Hex Scr. 5/16-18 x 2.0" Lg Special
52	736-0159	1	S	Fl.-Wash. 5/16" Scr.*
53	711-0509			

196-486-000 36" Snow Thrower (1986)
Drive Assembly

Page 6 of 6

Ref #	Part Number	Qty	S/P/F	Description
55	05933	1		Helper Spring Bracket
56		1		Parts on Tractor
57	710-0252	1	/P	Hex Bolt 1/4-20 x .75" Lg.*
58	736-0176	1	S	Fl.-Wash. .264" I.D.
59	736-0329	1	S	L.-Wash. 1/4" I.D.*
60	710-0836	1		J-Bolt 5/16-18
	726-0228	1	S	Cable Tie (Not Shown)